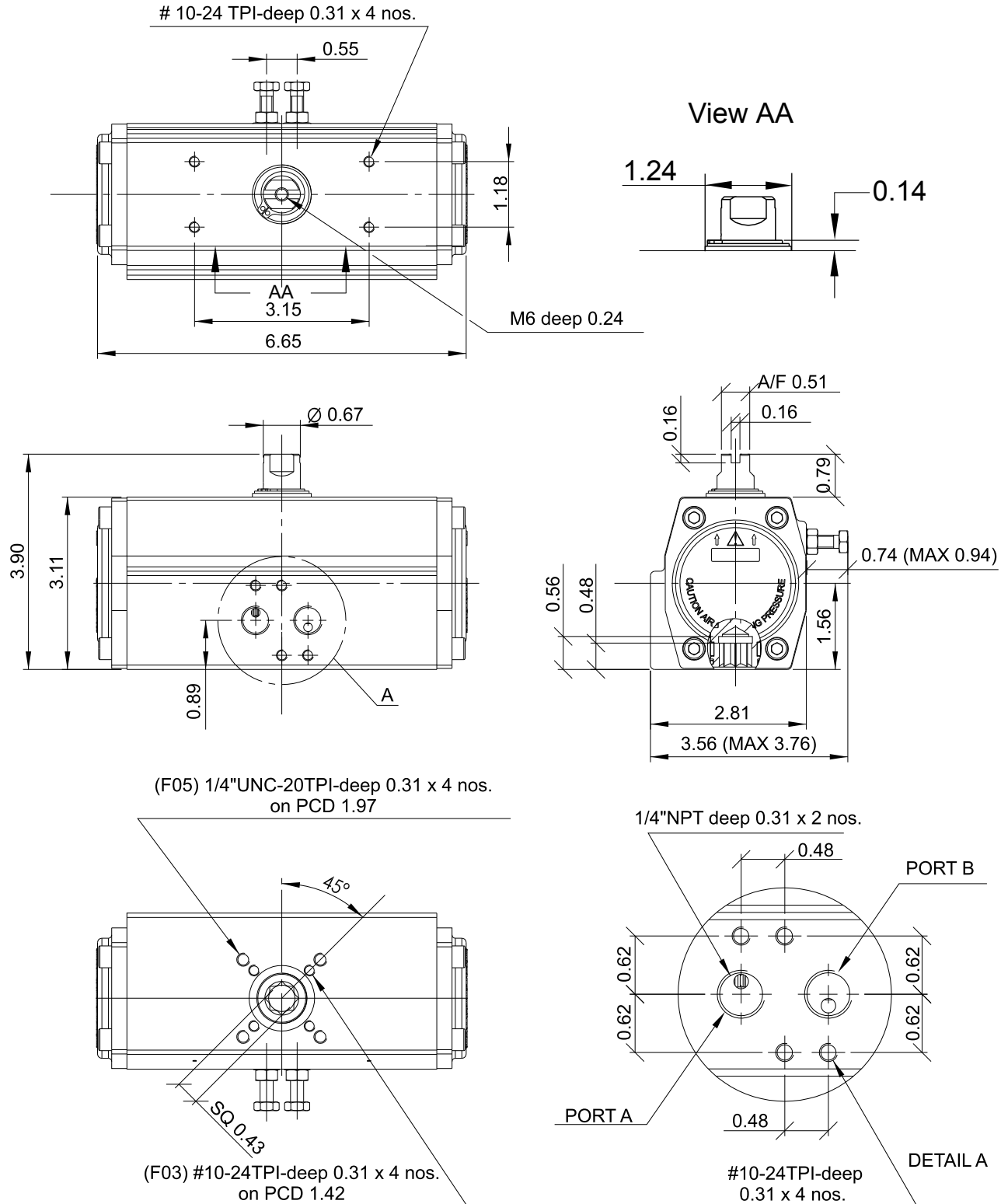


23	Inner spring	2	Spring Steel Grade 3	-	Epoxy powder coated
22	Outer spring	2	Spring Steel Grade 3	-	Epoxy powder coated
21	Stroke adjustment screw	2	HGA Steel	12.9 Grade	Zinc passivation
20	Piston bearing	2	Polyacetal	-	-
19	Washer	1	AISI 304	-	-
18	Washer	2	AISI 304	-	-
17	O ring	2	NBR	-	-
16	Hex socket screw	8	AISI 304	-	-
15	Piston seal	2	Polyethylene	-	-
14	Pinion seal	1	Polyethylene	-	-
13	Pinion seal	1	Polyethylene	-	-
12	Lock nut	2	AISI 304	-	-
11	Cover seal	2	NBR	-	-
10	Cam insert	1	Cast Carbon Steel	ASTM A216 Grade WCB	Electroless nickel plated
9	Pinion bearing	1	Polyacetal	-	-
8	External Circlip	1	Spring Steel	DIN 471 (IS 3075)	Nickel plated
7	Washer	1	Polyacetal	-	-
6	Piston bearing	1	Polyacetal	-	-
5	Pinion bearing	1	Polyacetal	-	-
4	Pinion	1	Steel	EN 8	Electroless nickel plated
3	Piston with rack	2	Aluminum	LM 6	-
2	COVER	2	Aluminum	LM 6	Epoxy powder coated
1	Body	1	Aluminum Alloy	6063T6	Hard anodized
NO.	PART DESCRIPTION	QTY.	MATERIAL	SPECIFICATION	CORROSION PROTECTION

This drawing is property of Rotex Controls Inc. this drawing contains confidential information of Rotex Controls Inc., It must not be disclosed to third party, competitors or copied or lent without the written consent of Rotex Controls Inc.



Pinion inches	Min	Max	Pinion mm	Min	Max
0.43	0.434	0.437	11.0	11.02	11.11

This drawing is property of Rotex Controls Inc. this drawing contains confidential information of Rotex Controls Inc., It must not be disclosed to third party, competitors or copied or lent without the written consent of Rotex Controls Inc.