

The **3x** Factor



**ROTEX**  
INFINITY ACTUATORS

# The 3x Factor



**ROTEX**  
INFINITY ACTUATORS

## Three Exclusive Features

### V-Seal

- **Self Energized:** Exclusive double lip seal design for superior dynamic sealing at all pressures and temperatures. Finally a single seal that operates for years or millions of cycles, with lower friction and less hysteresis. Great for control applications.
- **Wear Compensating:** V-Seals' wear compensation feature eliminates the "set" taken by traditional O-rings. Greater temperature range and better chemical resistance than traditional actuator O-rings.
- **We all know what kills actuator O-rings** - temperature, too many cycles, or not enough cycles. Rotex V-Seal is designed to handle all three.

### Center Bore Sleeve

- **Unique Design:** Infinity Actuators are the only actuators currently on the market with this wide polymer sleeve that ensures tight rack engagement.
- **Large Surface Area:** Provides largest possible bearing surface for complete piston support, while maintaining low friction.

### Hard Anodized Piston

- **Longer Life:** Aluminum piston is hard anodized to improve durability, decreasing the potential for tooth wear.
- **Internal Piston Rack Guides:** Durable internal guide blocks optimize rack/pinion teeth engagement for a lifetime of actuator cycles.

## Three Times the Warranty

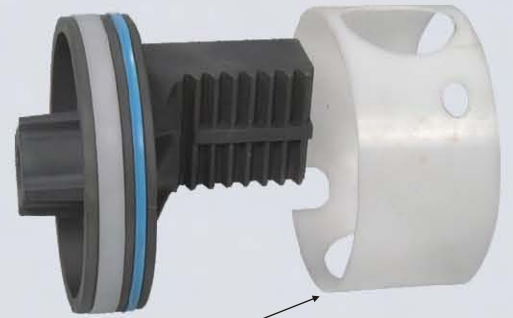
Rotex warrants the complete actuator for 3 years or 3 million cycles, including all seals. All major components, including body, pinion, bearings, springs, seals, and all hardware are covered for the full term of the warranty; 3 years or 3 million cycles.

*See specific Rotex Warranty Details.*



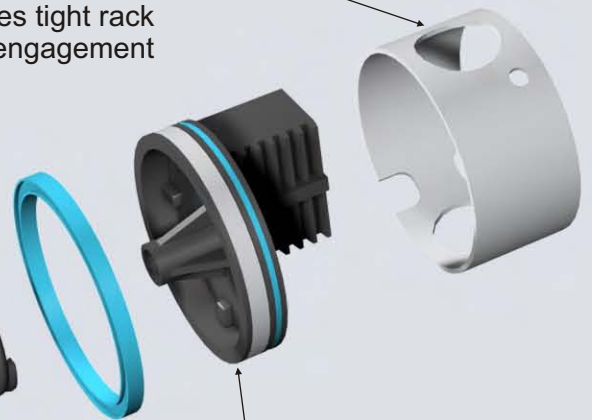
Traditionally, rack & pinion actuators have been used successfully for cost effective valve automation. All manufacturers have their special features; most are good actuator designs.

The Rotex Infinity Actuator is Different! Rotex has eliminated the weaknesses in other designs.



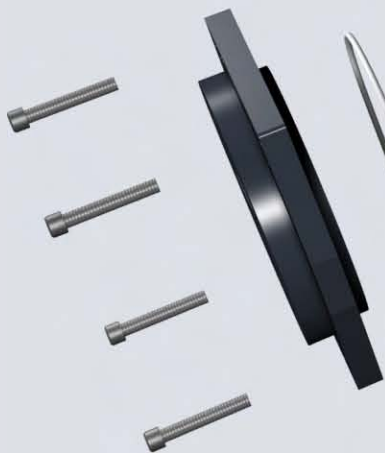
### Center Bore Sleeve

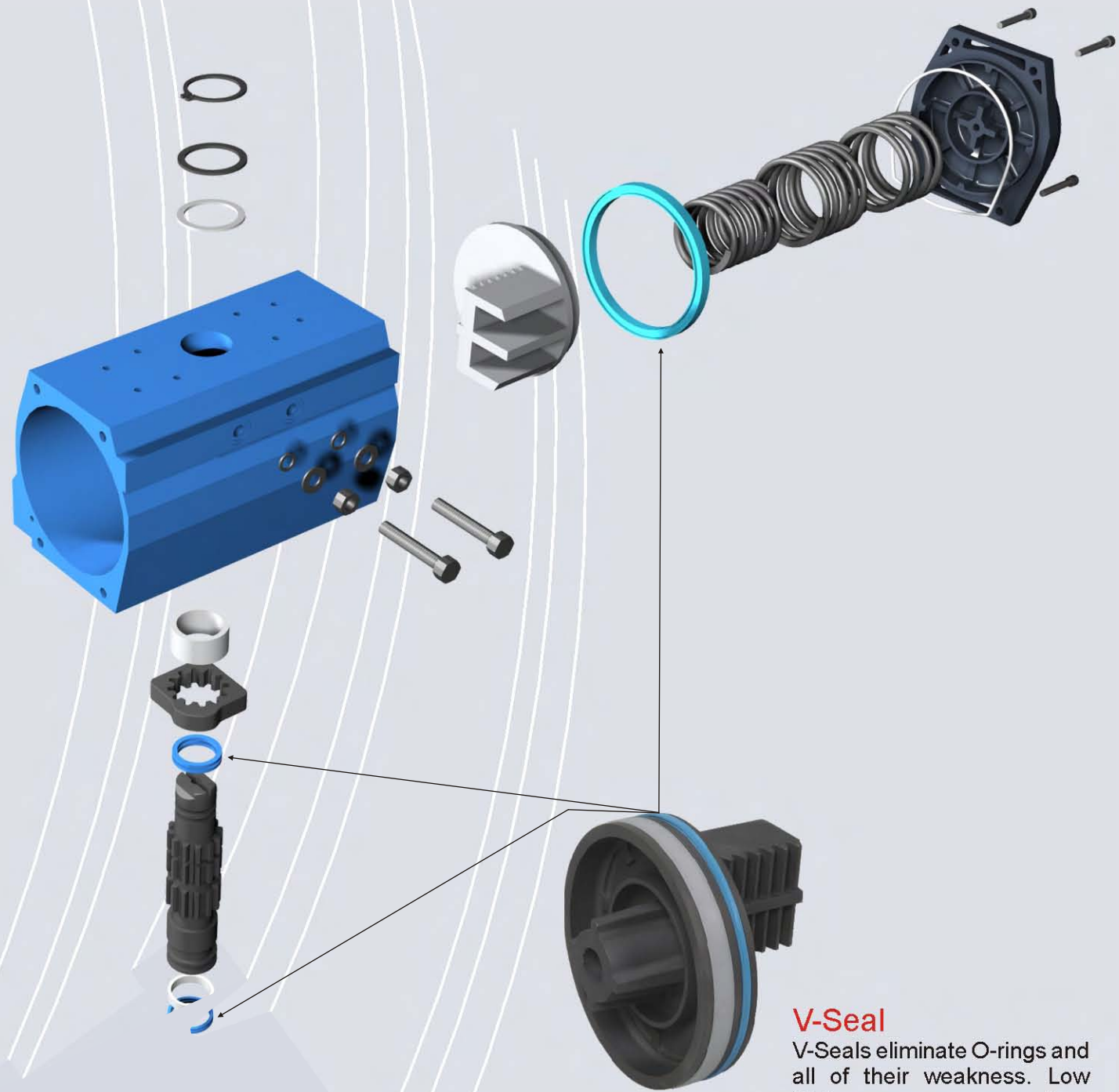
Unique low friction sleeve ensures tight rack engagement



### Hard Anodized Piston

Anodized piston with piston rack guide extend actuator life and dependability.





### V-Seal

V-Seals eliminate O-rings and all of their weakness. Low friction, wear compensation, and toughness make the Rotex InFINITY V-Seal actuator vastly superior to any O-ring sealed actuator

# Infinity 3x

# Infinity3x

## Features

- Hard anodized inner & outer surfaces
- Oversized internal air passages
- Life-time guarantee on springs
- V-Seal piston ring
- Solid top pinion bearing
- Low hysteresis
- Monolithic ENP pinion
- Center bore sleeve
- Namur VDI / VDE accessory mounting
- Actuator convertible DA to SR
- Hard anodized pistons
- Actuator bores burnished
- Quick operation capacity
- External side-mounted travel stops
- V-Seal pinion seals
- Replacable piston bearings
- Low & high temp capacity
- Hard anodized pistons
- Internal piston guides
- ISO 5211 mounting w/star drive
- Max working pressure 120psi

-40° to +230°F Standard



**Durable** Wear compensating. Lasts for millions of cycles.

**Dynamic** Energized for superior sealing at all pressures.

**Dependable** Exclusive polymer won't stick, wear, or disintegrate like traditional O-ring seals.

# Infinity3x



**ROTEX**  
INFINITY ACTUATORS

21 Sullivan Parkway,  
Fort Edward, NY 12828

Tel : (888) 813 - 9772

Fax : (866) 478 - 9620

[www.rotexcontrols.com](http://www.rotexcontrols.com)